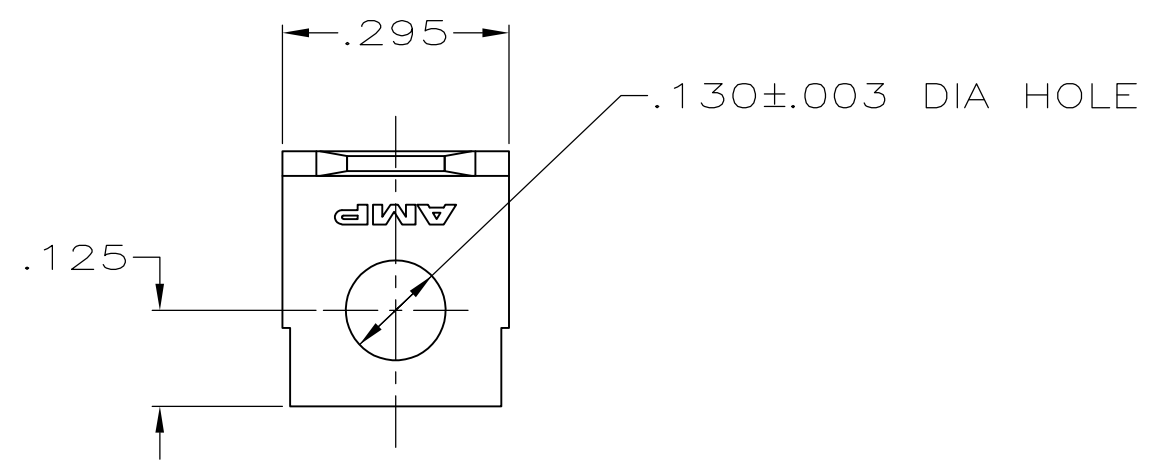
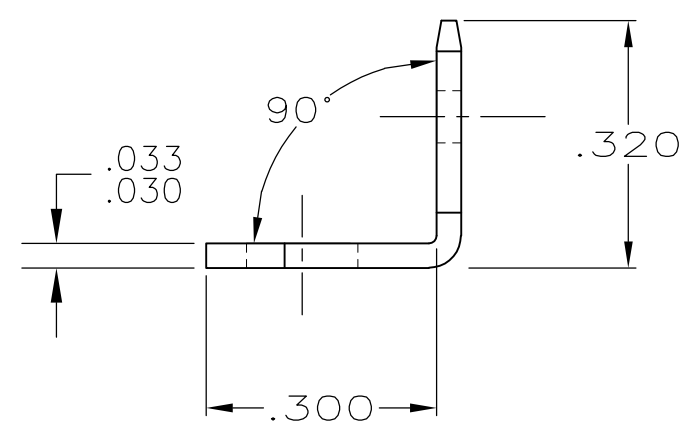
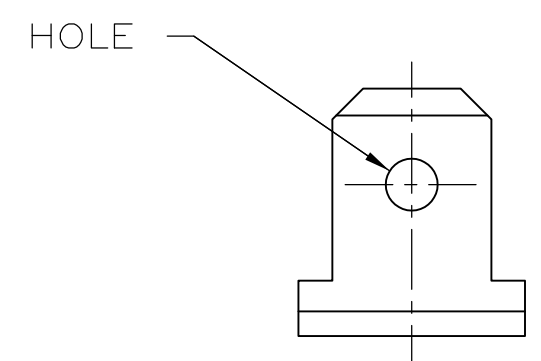


THIS DRAWING IS UNPUBLISHED. RELEASED FOR PUBLICATION
 © COPYRIGHT - By - ALL RIGHTS RESERVED.


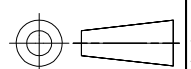
LOC	DIST	REVISIONS					
AF	50	P	LTR	DESCRIPTION	DATE	DWN	APVD
		F		REVISED PER ECR-13-011489	05DEC2013	KH	PD



1 SUPPLIED IN LOOSE PIECE.



61836-1
 PART NO.

THIS DRAWING IS A CONTROLLED DOCUMENT.		DWN	JR RUTH	1/10/97	 TE Connectivity		
DIMENSIONS: INCHES 		CHK	MS FEHER	1/10/97			
TOLERANCES UNLESS OTHERWISE SPECIFIED: 0 PLC ± - 1 PLC ± - 2 PLC ± - 3 PLC ± .015 4 PLC ± - ANGLES ± -		APVD	P DESANTIS	1/10/97	SIZE A3 00779		
MATERIAL BRASS		PRODUCT SPEC		DRAWING NO C-61836			
FINISH		APPLICATION SPEC		SCALE			4:1
		WEIGHT		SHEET			1 OF 1
		CUSTOMER DRAWING		REV			F